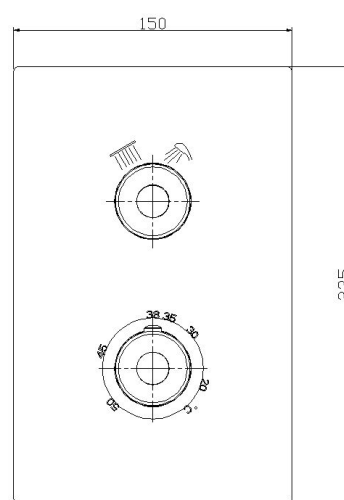
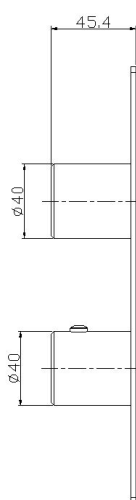
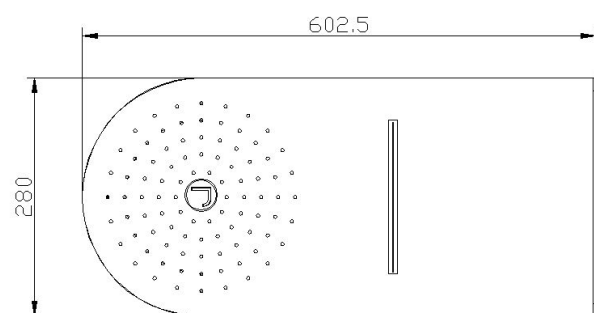
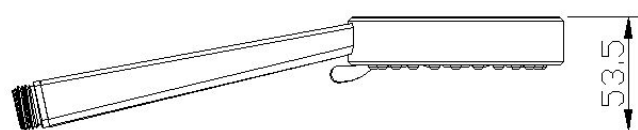
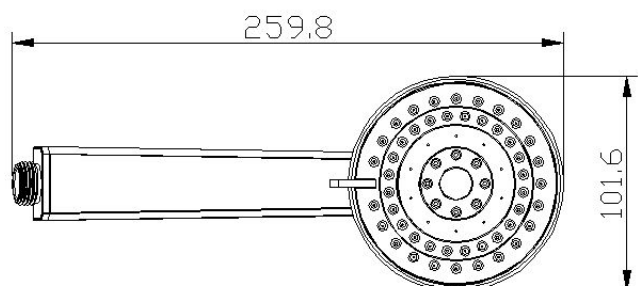


Shower System

HA41A

Jougor QU



Technical Information

Material: Stainless Steel 304/316

Surface Treatment: Mirror polishing

Cartridge: Sedal/Kerox Ceramic Cartridge

Cartridge Life Span: $\geq 800,000$ times

Aerator: Neoperl

Pressure: 0.1~1MPa

Flow Rate: $4 \leq Q \leq 8.3$ L/Min

Hose: G1/2, SS 304 Braided Hose

Overhead shower setting: Power Rain, Massage

Handshower setting: Power Rain, Massage, Mist

Installation Type: Wall mounted

Weight: 5.75Kg