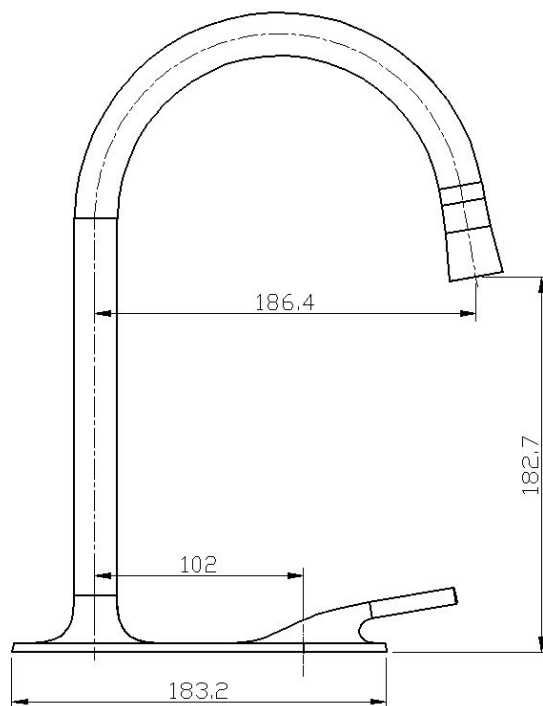


Kitchen Faucet

MY11A

Jougor MY



Technical Information

Material: Stainless Steel 304/316

Surface Treatment: Mirror polishing

Cartridge: Sedal/Kerox Ceramic Cartridge

Cartridge Life Span: $\geq 800,000$ times

Aerator: Neoperl

Swirling Component Life Span: $\geq 80,000$ times

Pressure: 0.1~1MPa

Flow Rate: $3 \leq Q \leq 7.5$ L/Min

Hose: G1/2, SS 304 Braided Hose

Mounting Hole Size: $\varnothing 35$ mm

Centerset: 101.6 +/- 2 mm

Installation Type: Deck mounted

Weight: 2.4Kg