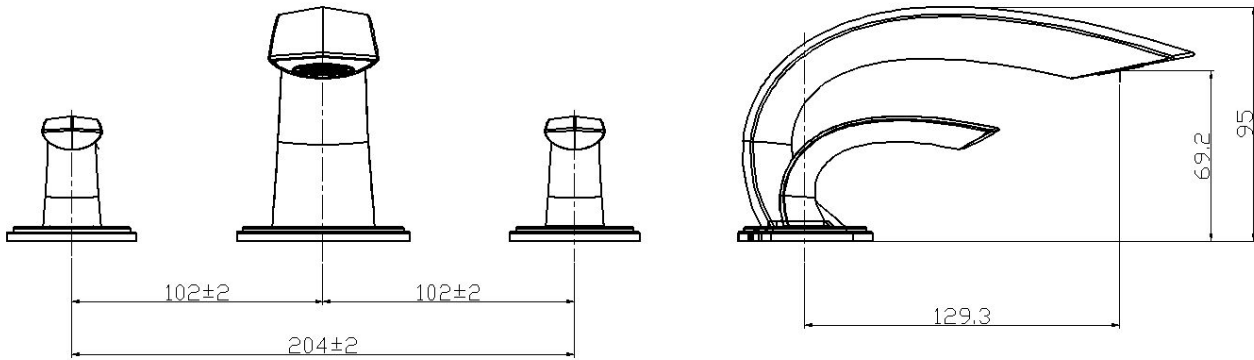


# Basin Faucet

SP21A

Jougor Speciality



## Technical Information

Material: Stainless Steel 304/316

Surface Treatment: Mirror polishing

Cartridge: Sedal/Kerox Ceramic Cartridge

Cartridge Life Span:  $\geq 800,000$  times

Aerator: Neoperl

Pressure: 0.1~1MPa

Flow Rate:  $3 \leq Q \leq 7.5$  L/Min

Hose: G1/2, SS 304 Braided Hose

Mounting Hole Size:  $\varnothing 35$ mm

Centerset: 203.2 +/- 2 mm

Installation Type: Deck mounted

Weight: 1.8Kg