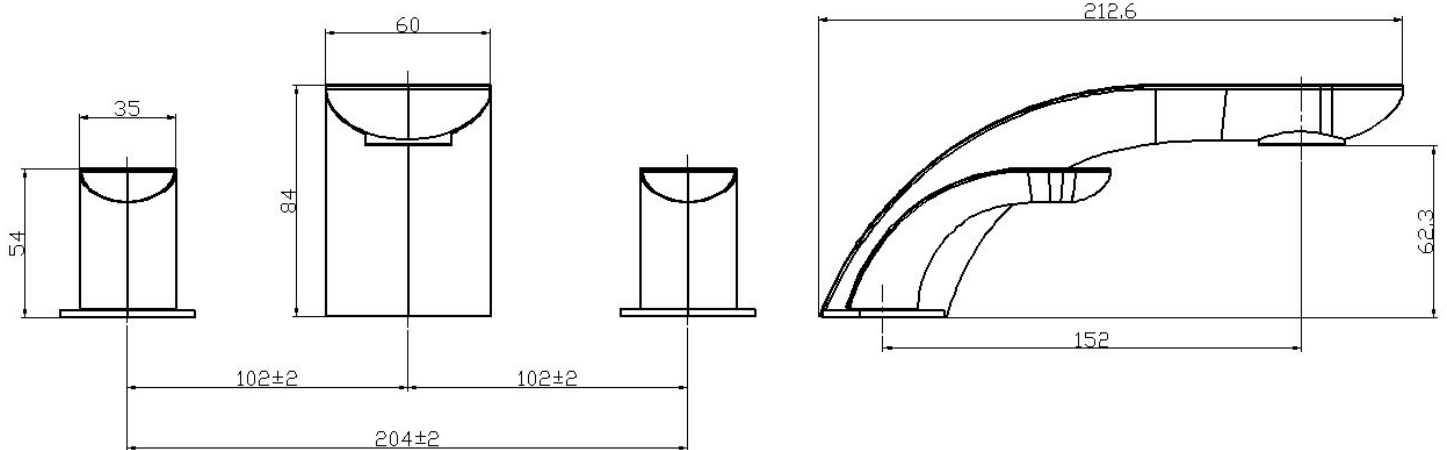


# Basin Faucet

HA21A

Jougor Harmony



## Technical Information

Material: Stainless Steel 304/316

Surface Treatment: Mirror polishing

Cartridge: Sedal/Kerox Ceramic Cartridge

Cartridge Life Span:  $\geq 800,000$  times

Aerator: Neoperl

Swirling Component Life Span:  $\geq 80,000$  times

Pressure: 0.1~1MPa

Flow Rate:  $3 \leq Q \leq 7.5$ L/Min

Hose: G1/2, SS 304 Braided Hose

Mounting Hole Size:  $\varnothing 35$ mm

Centerset: 203.2 +/- 2 mm

Installation Type: Deck mounted

Weight: 2.6Kg